



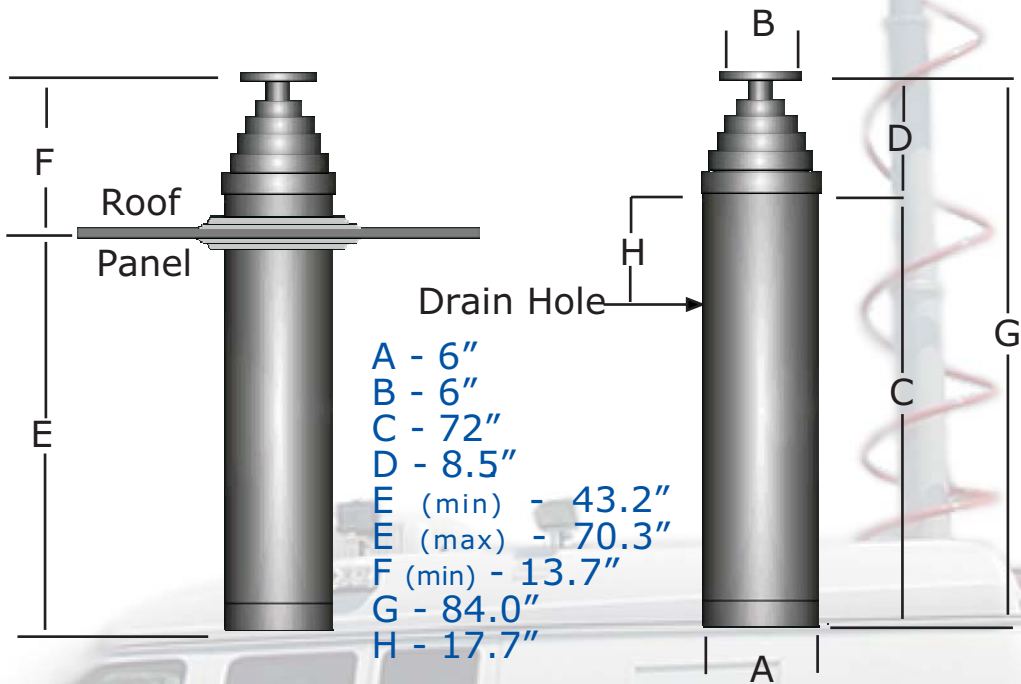
HILOMAST LLC

BROADCAST MASTS



Specification

- 30' Extended Height
- 7' Retracted Height
- 6 Sections
- 3.5" Diameter Top Section
- 110 lbs Vertical Head load
- Basic Mast Weight of 120 lbs
- Base Diameter of 6"
- Anodized Finish
- Drain Holes
- Optional Internal Cable for CCTV Cameras
- Available with Roof Bearing kit
- 74.5 mph Unguyed Wind Speed with 3.2 Sq ft Surface Area



Benefits & Advantages

- No Metal-to-Metal Contact, Reduces Wear & Failure Rate
- Drawn Pneumatic Quality Tube, Extends Seal Life
- Interchangeable With Competitors Product
- Split Roof Bearing Design, for Ease Of Fitting
- USA Service Centers Offer Local Support
- Regular Delivery from Stock
- One Piece Molded Seal for Improved Performance
- Reduced Frequency and Low cost of Service & Maintenance

BR30 Spec Sheet
Optional Internal Cable

Hilomast LLC

402 Chairman Court
Debary FL32713 USA
Tel: +1 (386) 668-6784
Fax: +1 (386) 668-6794
Email: sales@hilomast.com
Web: www.hilomast.com